

ENGINE

ADR 80/03 – IVECO FIC 3.0I – 4 stroke diesel with direct-injection, turbocharger and intercooler. Water-cooled with electromagnetic fan. Cast-iron engine block with aluminium cylinder head. New generation common rail injection system. Exhaust gas recirculation system – EGR. Exhaust system with diesel particulate filter (CRT – Continuously Regenerating Trap) and muffler longitudinally positioned on the right side and stub-pipe located mid-way down right side of vehicle.

EEV – IVECO FIC 3.0I – 4 stroke diesel with direct-injection, dual-stage twin turbochargers and intercooler. Water-cooled with electromagnetic fan. Cast-iron engine block with aluminium cylinder head. New generation unijet common rail injection system. Exhaust gas recirculation system – EGR. Exhaust system with diesel particulate filter (CRT – Continuously Regenerating Trap) and muffler longitudinally positioned on the right side and stub-pipe located mid-way down right side of vehicle.

Basic data

Number of cylinders:	4 (16 valves) vertical in line
Bore x stroke:	95.8 mm x 104 mm
Total displacement:	2998 cm ³
Engine:	3.0 HPT*
Power (hp/Kw):	170/125
At rpm:	3000-3500
Torque (Nm/lbft):	400/295
At rpm:	1250-3000

*HPT: High Performance Turbine with VGT – Variable Geometry Turbo.

FRAME

C Section steel longitudinal side members with tapered ends and tubular cross members

Wheelbase (mm)	3750
Cross members	6
Side member height (mm)	182
Side member width (mm)	70
Side member thickness (mm)	4

TRANSMISSION

Six speed synchromesh overdrive manual transmission

Type: 2840.6 OD

1st	5.375
2nd	3.154
3rd	2.041
4th	1.365
5th	1.000
6th	0.791
Rev.1st	4.838

CLUTCH

Single dry plate. Hydraulically controlled

External diameter: 280 mm (11")

AXLES

Front: IVECO 5819 independent, 1900 kg capacity

Rear: IVECO 450511 full-floating single reduction, 3100 kg capacity

Rear axle ratio: 3.91:1

SUSPENSION

Front: Independent with adjustable torsion bar anchored to the chassis integrated with double-acting telescopic shock absorbers and anti-roll bar

Rear: Multileaf spring, rubber rebound bump stops, double-acting telescopic shock absorbers and anti-roll bar

LIGHTING & SIGNALLING SYSTEM

Halogen headlamps; twin front and rear fog lamps and twin reverse lamps, daytime running lights

WHEELS / TYRES

Tyres: 195/75 R16 Wheels: 5JK 16HI

ELECTRICAL SYSTEM

Battery: 12V - 110 Ah Alternator: 12V - 140 A

Trailer wiring to rear of chassis.

BRAKING SYSTEM

ABS 9 with EBD – Electronic Brake force Distribution

Front / Diameter: Ventilated disc brakes / 290 mm (28mm thick)

Rear / Diameter: Disc brakes / 290 mm (22mm thick)

Parking brake: Manual brake operating on rear axle

Service brakes: Dual circuit with vacuum servo. Pad wear warning light for front and rear brakes

STEERING

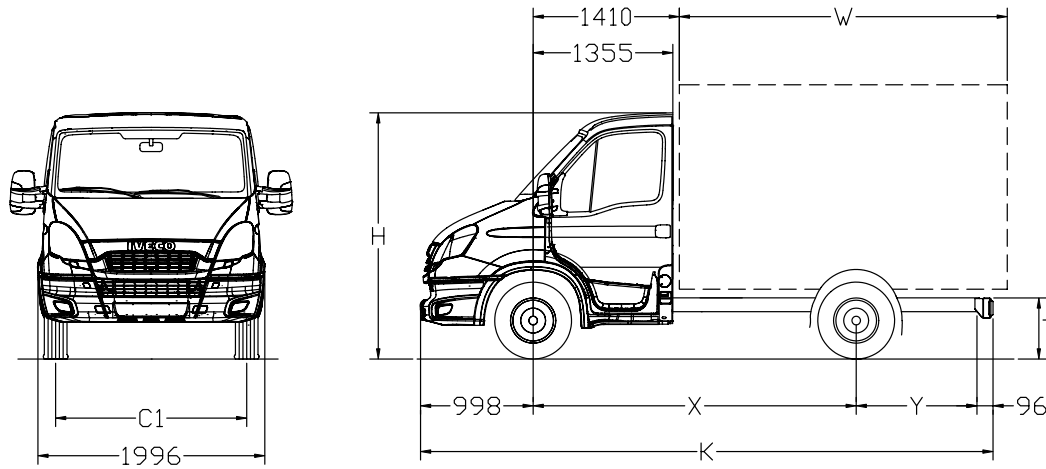
Power steering. Steering wheel diameter 410 mm. Three piece steering column, with telescopic adjustment and connecting universal joints

OTHER EQUIPMENT

- Spare wheel carrier located under the rear overhang
- 100 litres on nearside with locking fuel cap
- Front tow hook

CABIN

- Drivers airbag with seat belt pretensioners
- Fixed driver's seat with headrest
- Three point inertia reel belt on all seats
- Dual bench passenger seats with headrests
- Cruise control
- Electric windows
- Exterior mirror with integrated wide angle and direction indicators, heated and electronically adjustable
- Overhead console with storage shelf and standard space for additional equipment
- Large dual storage pockets in doors
- Underseat storage
- Document storage compartment
- Insulated compartment located on the dashboard
- Body builders connectors
- Single piece floor mat
- 2 cup holders plus 1 bottle holder
- Glove compartment with added storage
- Additional in-dash storage
- Clip holder



DASHBOARD

- New soft-feeling anti-reflective material
- Analogue electronic speedometer
- Electronic tachometer
- Fuel level indicator with reserve light indicator
- Coolant temperature indicator with high temperature indicator light
- Instrument light dimmer switch
- Dash-mounted gear lever
- 3 DIN drawers, one of which carries CD Player
- LCD Display Panel includes: odometer, trip computer with distance, time, fuel consumption etc; headlamp orientation (dip/main); clock, external temperature, service indicator
- Stereo radio/CD player (with CAN security)

SECURITY

- Central locking with remote control and door locking management
- Steering lock
- Engine immobilizer actuated by transponder on ignition key

CONSTRUCTION & FINISH

C-section steel longitudinal side members and tubular cross members with pressed steel unitary construction body mounted on rubber bushes. Anti-corrosion protection includes full catheporetic dipping with galvanized boxed sections and strategic use of zinc plated panels in vulnerable areas. Protective under seal for all under body cabin area, wheel housings and engine area. Polypropylene bumper and side mouldings.

CLIMATE CONTROL

Four speed electric fan with five different air distribution modes and cab recirculation. Windshield side window defroster and defogger through side and front fixed position air vents. Temperature-controlled air conditioned cab.

OPTIONS

- Passenger airbags with seat belt tensioners plus side window airbags
- Suspended and heated driver and passenger seats

DIMENSIONS (mm)

X	Wheelbase	3750
K	Overall length	6538
H	Overall height (unladen)	2275
CI	Front track	1696
	Rear track	1541
	Unladen frame height at front axle	599
T	Unladen frame height at rear axle	702
	Front ground clearance	196
	Rear ground clearance	177
Y	Rear overhang	1665
	Turning circle: kerb to kerb	13400
	Turning circle: wall to wall	14520

BODY DIMENSIONS (mm)

W	Maximum body length [#]	4496 [#]
	Maximum body width	2350

MASS (kg)

GVM	4495
Towing capacity with braked trailer*	3500*
Front axle capacity	1900
Rear axle capacity	3100
Kerb mass front axle	1395
Kerb mass rear axle	645
Kerb mass total	2030
Body and payload capacity	2455

* Subject to individual state regulations and requirements.

[#] Determined by legislative constraints and/or technical criteria for optional ride & handling. Kerb masses are with full fuel tank, oil, water, spare wheel, tools and include driver at 75 Kg. Maximum body width subject to mirror and lighting requirements.

IVECO Trucks Australia Limited A.B.N. 86 004 065 061
Princes Hwy, Dandenong, Victoria 3175
P.O. Box 117 Dandenong, Victoria 3175
Telephone: (03) 9238 2200 Facsimile: (03) 9238 2387
www.iveco.com.au